



Designed to compliment Truth's window operators. The vertical movement of these handles lock and unlock the sash. Face-mounted and rear-mounted styles are available within this product line. For casement applications that may have a hard to reach second locking point, many of the #24 Series Locking Handles are able to use a Tie Bar which allows the two locking points to work in tandem. Consult the following tables for detailed information regarding the dimensional differences of each.

While a number of models are available from Truth, listed below are a few of the exciting characteristics of Truth's new #24.25 Locking Handle with its specially designed zinc die-cast handle and housing. The unique construction of this lock, with its *new gasket*, helps to produce a more insect-free, air-free and light-free seal.

**IMPROVED CAM DESIGN:**

The #24.25 locking cam has been redesigned with a slight taper to its nose to help improve keeper engagement, and to produce a smoother locking action with .437" (11.1 mm) pull-in. *Alignment indicators on the cam provide quick visual verification of keeper placement.*

**POSITIVE LOCKING ACTION:**

A strong detent in both open and closed positions creates a solid and secure feel to the #24.25 Locking Handle - no more "flopping" handles. Helps resist window opening during shipment.

**VARIETY OF COLORS:**

Available in a variety of standard colors to complement all window profiles. The new zinc housing is painted to match the handle which eliminates the possibility of color variances between the two components. A perfect match to your operator also.

**TANDEM OPERATION:**

For tandem locking operation, a concealed tie bar is easily adaptable. Unlike other models, this same model (#24.25) can be used in both tie bar and non-tie bar applications greatly reducing unnecessary cost and inventory.

**WARRANTY:**

Protected under the terms of the Truth Warranty for Window and Door

Manufacturers and Authorized Distributors. Refer to Truth's Terms and Conditions for further details.

**MATERIAL:** High pressure zinc die-cast locking handle and housing. Stainless steel strike. Aluminum tie bar.

**FINISH:** Electrostatically applied, durable coatings that provide excellent resistance to chipping, scratching and corrosion while maintaining color stability for years in direct sunlight. Please refer to Truth's Color Chart for examples of Truth's most popular finish options. Truth also offers a wide range of decorative "plated" finishes - contact Truth for additional information on availability of these finishes on specific product lines.

**ORDERING INFORMATION & OPTIONS:**

1. Choose Locking Handle style desired - specify by part number.
2. Select mounting hardware (sold separately).  
Stainless Steel Strikes - Specify by part number per your application requirements.  
Tie Bars - See table located in drawings for the Tie Bar that best meets your application.

**RECOMMENDED SCREWS:**

Types of screws required determined by material of profile used. Refer to drawings for complete information on screw type and quantity needed (sold separately). For additional information regarding screw selections - see Truth Tips and refer to Tech Note #11.

**TRUTH TIPS**

1. For accurate hardware placement in vinyl or metal applications, pre-drilling of the window profile is recommended.
2. For vinyl window applications, mounting screws should pass through two PVC walls, or one PVC wall and one insert wall. For this reason, it may be necessary to use a longer screw than is recommended.
3. Truth recommends that stainless steel screws be used to fasten stainless steel components to the window. When selecting mounting screws for Truth hardware, coating compatibility is one of the most important criteria. For best corrosion resistance the coating on the screws should be the same as the coating on the hardware.



4. For metal window profiles, Truth recommends machine screws. However in most applications, sheet metal screws will provide adequate holding power.
5. Keepers with positive pick-up tabs cannot be used in tie bar applications.
6. Truth recommends that a Snubber be used at the center of the hinge side on any casement window which has a tendency to bow outwardly at the center in the closed position. Adding a Snubber may increase the negative air pressure rating of the window.

**INCLUDE TRUTH SPECS ON YOUR NEXT WINDOW PROJECT**

Window locking handles shall be included which will increase both security and weather seal tightness. The locks must hold securely up to 200 lbs. of force per lock for negative air pressure and forced entry resistance.

Window sash locks will be used which provide up to .437" (11.1 mm) of pull-in. The lock must also allow tandem operation of two locks to meet ADA hardware height standards. The lock shall be constructed of high pressure zinc alloy die castings and utilize a stainless steel strike.

Window locks shall be 24 series, Locking Handle as manufactured by Truth Hardware, Owatonna, MN.

FIG. 1 APPLICATION OF TRUTH FACE MOUNTED LOCKING HANDLES

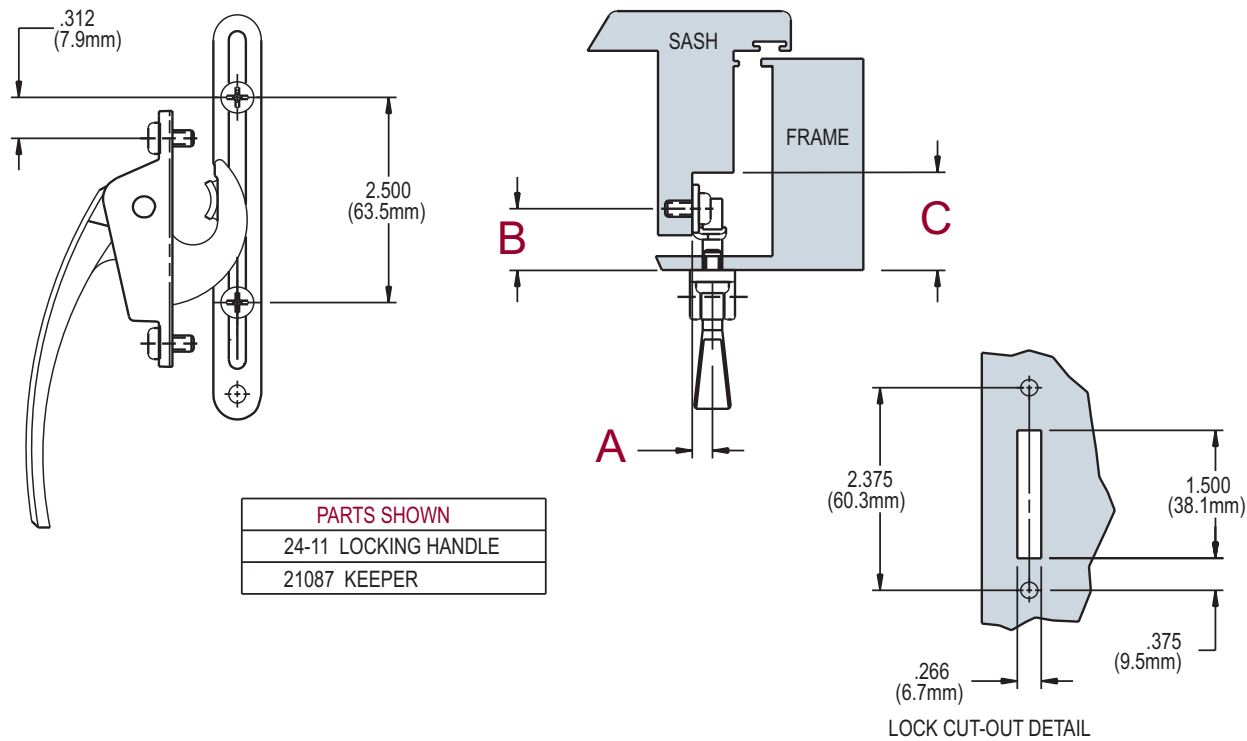
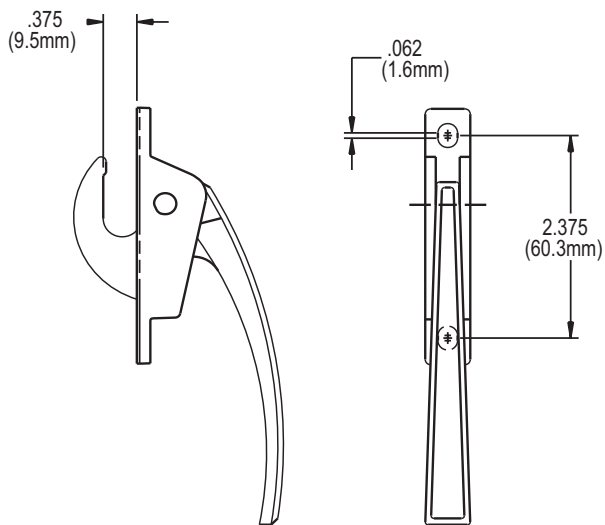


FIG. 2 LOCKING HANDLE 24.10

NOTE:  
NOT TIE BAR COMPATIBLE.



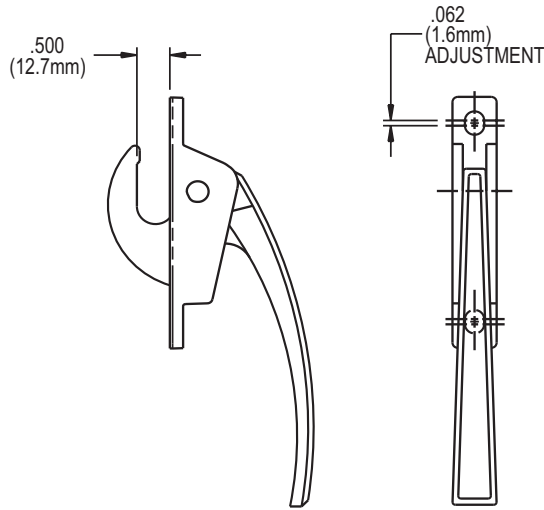
AVAILABLE KEEPERS	A	B	C
21087	.250 (6.4mm)	.594 (15.1mm)	.750 (19.1mm)
21088	.375 (9.5mm)		
21089	.438 (11.1mm)		
20800	.250 (6.4mm)	.688 (17.5mm)	
31376	.438 (11.1mm)	.594 (15.1mm)	
31384	.250 (6.4mm)		

**RECOMMENDED SCREWS:**

PVC/METAL/WOOD: 2 - #10 PHILLIPS, PAN HEAD, SST SCREWS (LENGTH AND THREAD TYPE DETERMINED BY PROFILE)

FIG. 3 LOCKING HANDLE 24.11

NOTE:  
NOT TIE BAR COMPATIBLE.

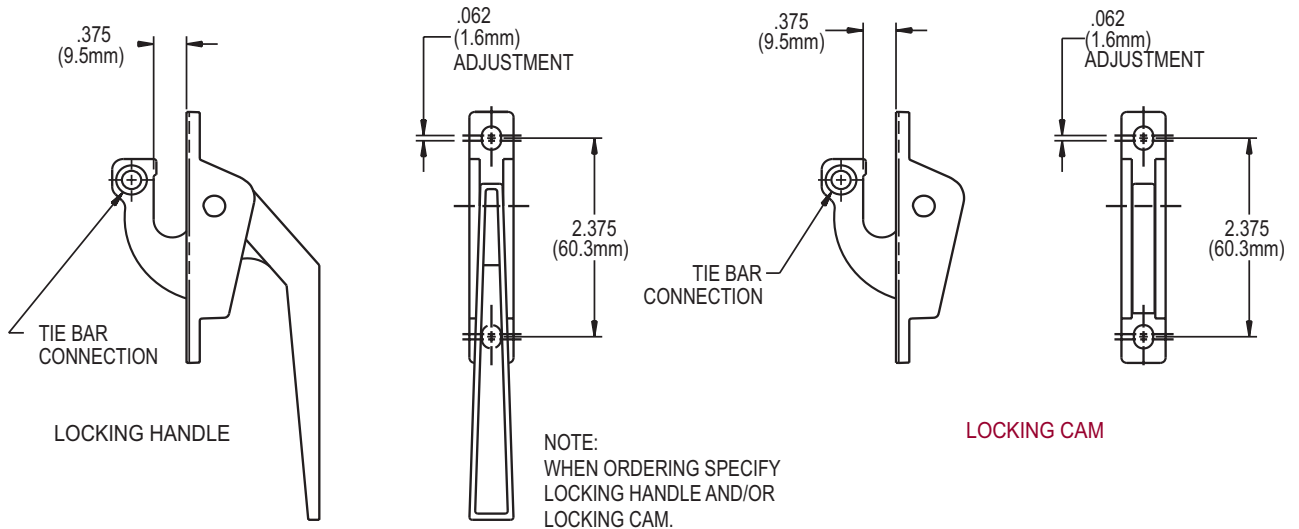


AVAILABLE KEEPERS	A	B	C
21087	.250 (6.4mm)	.718 (18.3mm)	.844 (21.4mm)
21088	.375 (9.5mm)		
21089	.438 (11.1mm)	.812 (20.6mm)	
20800	.250 (6.4mm)		
31376	.438 (11.1mm)	.718 (18.3mm)	
31384	.250 (6.4mm)		

RECOMMENDED SCREWS:

PVC/METAL/WOOD: 2 - #10 PHILLIPS, PAN HEAD, SST SCREWS (LENGTH AND THREAD TYPE DETERMINED BY PROFILE)

FIG. 4 LOCKING HANDLE AND LOCKING CAM 24.12



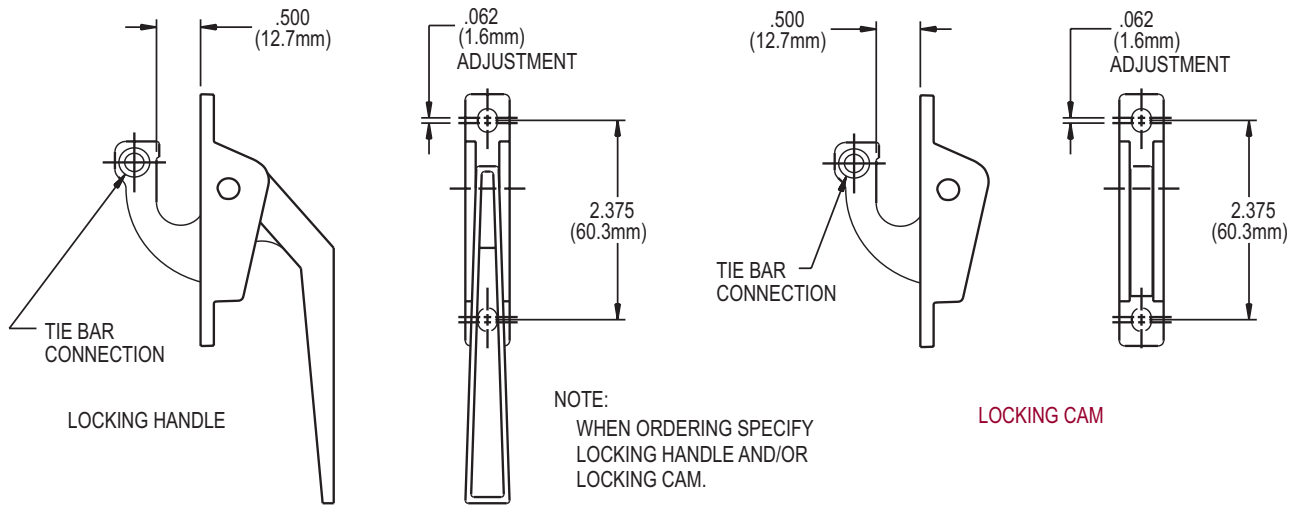
NOTE:  
WHEN ORDERING SPECIFY  
LOCKING HANDLE AND/OR  
LOCKING CAM.

AVAILABLE KEEPERS	A	B	C
21087	.250 (6.4mm)	.594 (15.1mm)	1.0 (25.4mm)
21088	.375 (9.5mm)		
21089	.438 (11.1mm)	.688 (17.46mm)	
20800	.250 (6.4mm)		
31376	.438 (11.1mm)	.594 (15.1mm)	
31384	.250 (6.4mm)		

RECOMMENDED SCREWS:

PVC/METAL/WOOD: 2 - #10 PHILLIPS, PAN HEAD, SST SCREWS (LENGTH AND THREAD TYPE DETERMINED BY PROFILE)

FIG. 5 LOCKING HANDLE AND LOCKING CAM 24.13



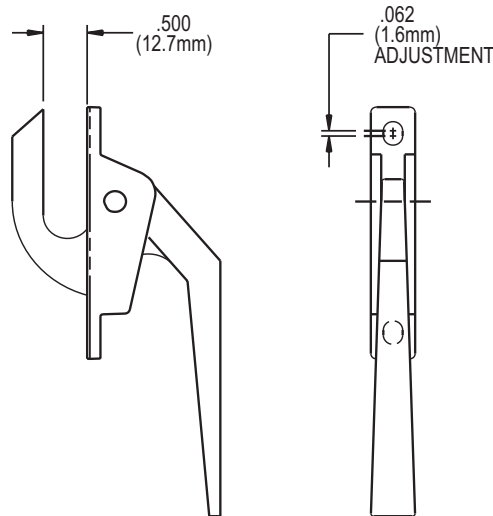
AVAILABLE KEEPERS	A	B	C
21087	.250 (6.4mm)	.718 (18.3mm)	1.0 (25.4mm)
21088	.375 (9.5mm)		
21089	.438 (11.1mm)		
20800	.250 (6.4mm)	.812 (20.6mm)	
31376	.438 (11.1mm)	.718 (18.3mm)	
31384	.250 (6.4mm)		

**RECOMMENDED SCREWS:**

PVC/METAL/WOOD: 2 - #10 PHILLIPS, PAN HEAD, SST SCREWS (LENGTH AND THREAD TYPE DETERMINED BY PROFILE)

FIG. 6 LOCKING HANDLE 24.23

NOTE:  
NOT TIE BAR COMPATIBLE.

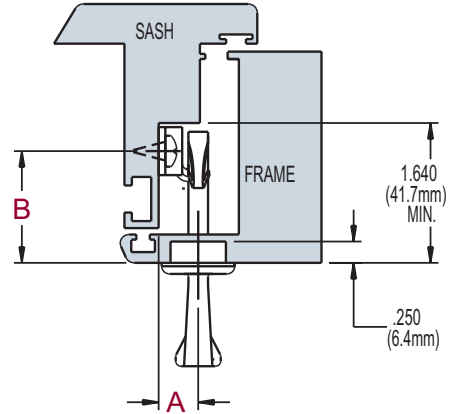
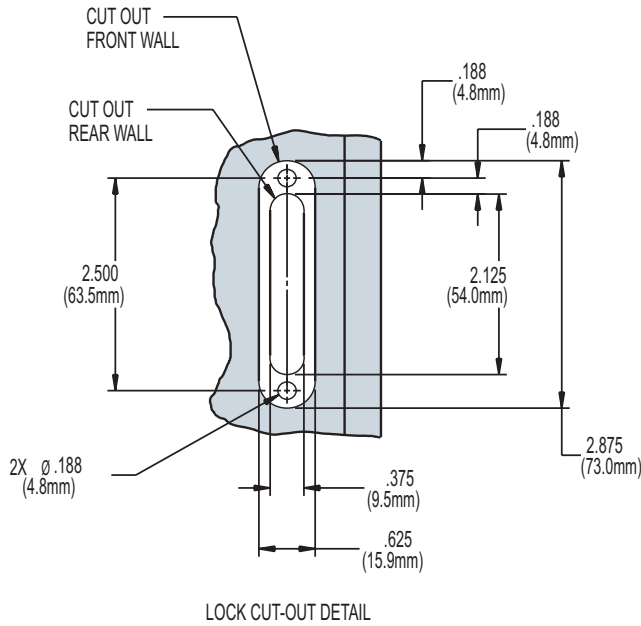


AVAILABLE KEEPERS	A	B	C
21087	.250 (6.4mm)	.718 (18.3mm)	1.156 (29.4mm)
21088	.375 (9.5mm)		
21089	.438 (11.1mm)		
20800	.250 (6.4mm)	.812 (20.6mm)	
31376	.438 (11.1mm)	.718 (18.3mm)	
31384	.250 (6.4mm)		

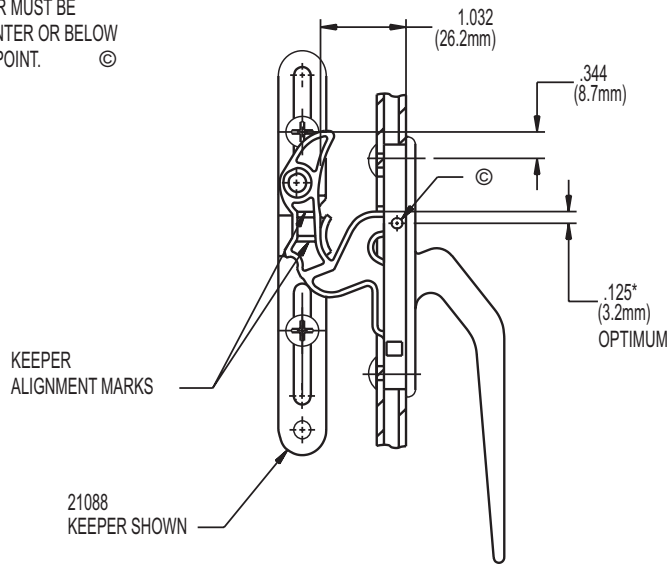
**RECOMMENDED SCREWS:**

PVC/METAL/WOOD: 2 - #10 PHILLIPS, PAN HEAD, SST SCREWS (LENGTH AND THREAD TYPE DETERMINED BY PROFILE)

FIG. 7 APPLICATION OF REAR MOUNTED 24.25 LOCKING HANDLE



\* NOTE:  
KEEPER MUST BE  
ON CENTER OR BELOW  
PIVOT POINT. ©



RECOMMENDED SCREWS:

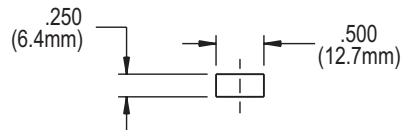
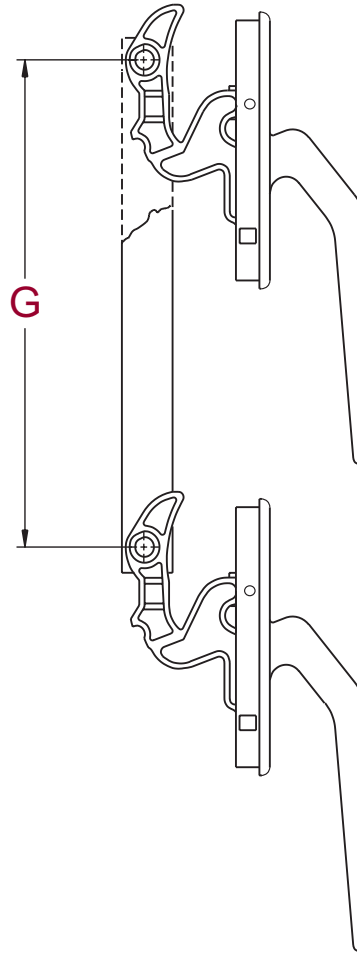
WOOD/PVC/METAL: 2 (P/N 19214) #8 X .375 PHILLIPS, PAN HEAD  
SELF TAPPING SST SCREWS (LENGTH  
DETERMINED BY PROFILE)

AVAILABLE KEEPERS	A	B
20800	.218 (5.6mm)	1.375 (34.9mm)
21087	.218 (5.6mm)	1.282 (32.5mm)
21088	.344 (8.7mm)	
21089	.406 (10.3mm)	
31384	.218 (5.6mm)	
31376	.406 (10.3mm)	

FIG. 8 TIE BAR APPLICATION FOR ALL TIE BAR COMPATIBLE LOCKS

TIE BAR	G
20049	18.0 (457.2mm)
20050	24.0 (609.6mm)
20051	30.0 (762.0mm)
20280	36.0 (914.4mm)
20698	42.0 (1066.8mm)

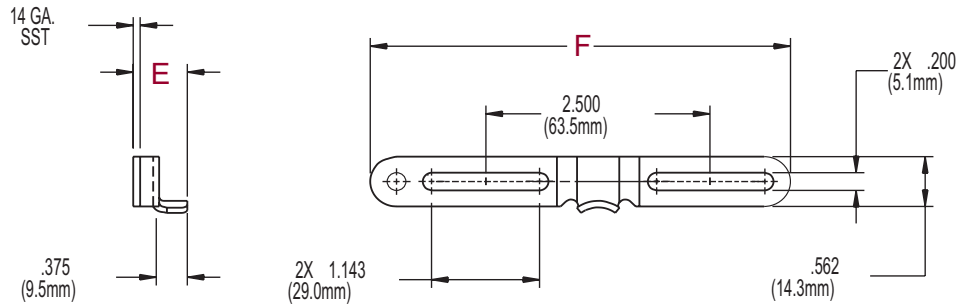
NOTE:  
TIE BARS CANNOT BE USED WITH  
KEEPERS WITH POSITIVE PICK-UP TABS.



**RECOMMENDED SCREWS:**

2 (P/N 20410) #8-32 X .500  
PHILLIPS, FLAT HEAD, SHOULDERED STEEL  
MACHINE SCREWS

FIG. 9 KEEPERS 21087, 21088, 21089 AND 21325

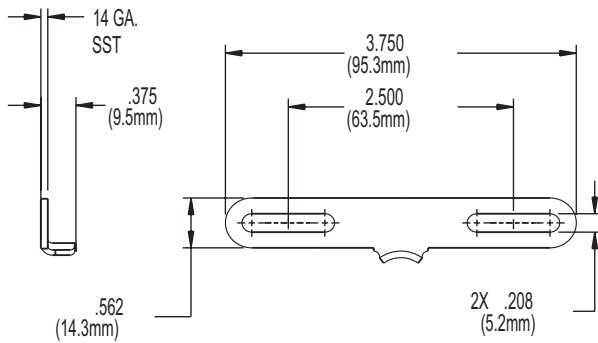


KEEPER NO.	E	F
21087	.375 (9.5mm)	4.735 (120.3mm)
21088	.500 (12.7mm)	4.647 (118.0mm)
21089	.562 (14.3mm)	4.593 (116.7mm)
21325	.688 (17.5mm)	4.647 (118.0mm)

**RECOMMENDED SCREWS:**

WOOD/PVC/METAL: 2 - #10 PHILLIPS, PAN HEAD, SST SCREWS (LENGTH AND THREAD TYPE DETERMINED BY PROFILE)

FIG. 10 KEEPER 20800

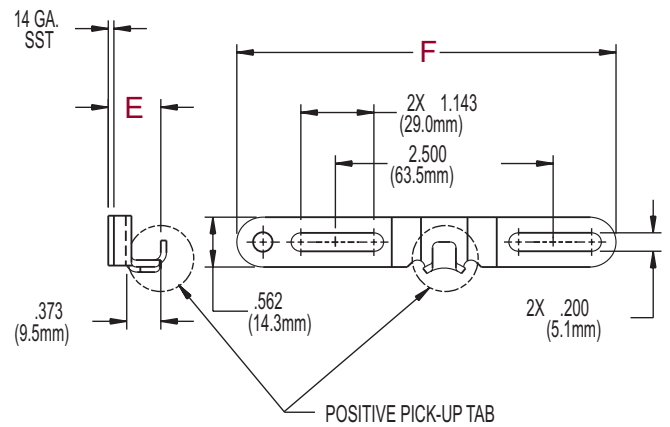


**RECOMMENDED SCREWS:**

WOOD/PVC/METAL: 2 - #10 PHILLIPS, PAN HEAD, SST SCREWS (LENGTH AND THREAD TYPE DETERMINED BY PROFILE)

FIG. 11 KEEPERS 31376 AND 31384 (with positive pick-up tab)

NOTE:  
CANNOT BE USED IN TIE BAR APPLICATIONS.



KEEPER NO.	E	F
31376	.590 (15.0mm)	4.593 (116.7mm)
31384	.373 (9.5mm)	4.735 (120.3mm)

**RECOMMENDED SCREWS:**

WOOD/PVC/METAL: 2 - #10 PHILLIPS, PAN HEAD, SST SCREWS (LENGTH AND THREAD TYPE DETERMINED BY PROFILE)

